



WHERE FORM & FUNCTION CONVERGE

FUELLING | WHAT'S NEXT

NEW
PRODUCT

OPW 21 Series Fuelling Nozzles & Hanging Hardware Stylish | Precise | Fuelling Innovation Your Customers Will Love

Enhance your customer's fuelling experience with the new 21 series of fuelling nozzles and accompanying swivels and breakaways by OPW. Sleek, attractive and lightweight European styling designed for ultimate aesthetic appeal and comfort. Engineered for precise fuelling control, the 21 family of nozzles features technology that lets your customer experience a true quality handshake with your fuelling site.

OPW 
a **DOVER** company

www.opwglobal.com/21

FUELLING | WHAT'S NEXT

OPW 21 Series European Nozzles

Petrol | Vapour Recovery | Diesel | AdBlue

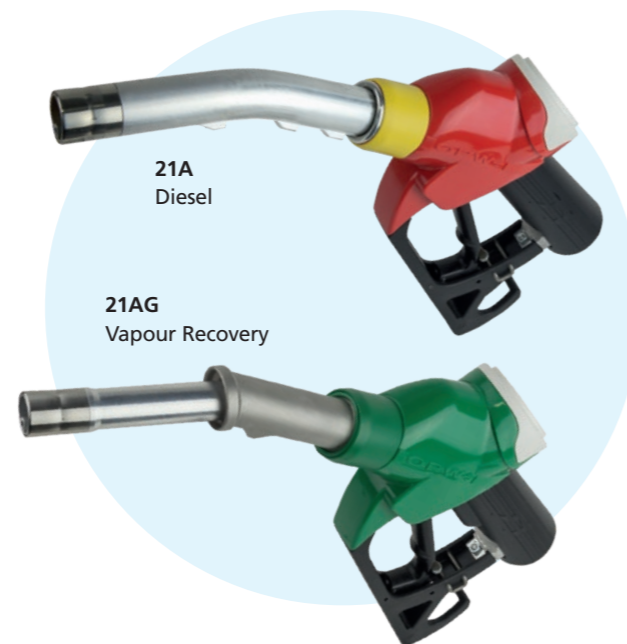
Now you can get European style and world-renowned OPW quality with the new OPW 21 series of fuelling nozzles

All the form your customers are familiar with in a European-class nozzle design, ATEX and TUV certified and backed by the engineering excellence that makes OPW the quality leader around the world. Give your customers a fuelling experience that keeps inviting them back.

- **OPW 21A** – conventional non-vapour recovery nozzle with a 25mm diesel spout or 21mm (21AP) unleaded petrol spout
- **OPW 21B** – conventional non-vapour recovery nozzle with no pressure/no flow device for 25mm diesel or 21mm (21BP) unleaded petrol spouts
- **OPW 21AG** – unleaded vapour recovery nozzle without vapour valve or (21AGV) with vapour valve
- **OPW 21BG** – unleaded vapour recovery nozzle with no pressure/no flow device without vapour valve or (21BGV) with vapour valve
- **OPW 21H** – high-flow truck stop diesel nozzle with 140 LPM and 32mm spout
- **OPW 21ADB** – AdBlue nozzle with 19mm spout

Hand Insulator Colours

- Bare
- Blue
- Orange
- Black
- Silver
- Red
- Green
- Gold
- Yellow



Key Features & Benefits

- A superior fuelling experience, engineered to inspire consumer preference
- Exceeds ATEX safety standards protecting consumers and the environment
- Built to last: the long-term solution / lower cost of ownership
- Available in multiple guard configurations to fit your dispensing equipment
- Fuel identification (new EU directive) neatly positioned on side of message centre with no unsightly add-on tabs
- Utilises Accu-Stop™ flow control for precise metering at the pump
- Designed to minimise post-fuelling drips
- Stainless Steel spout tip standard on all models to increase durability and nozzle life
- Low temperature option available on all models
- Nozzles available with swivel or swivel / breakaways to enhance consumer ease of use

Design Working Pressure

- 3.5 bar maximum pressure

Temperature Range

- -30°C to 55°C - standard
- -54°C to 55°C - extreme temperature (not available on 21ADB)

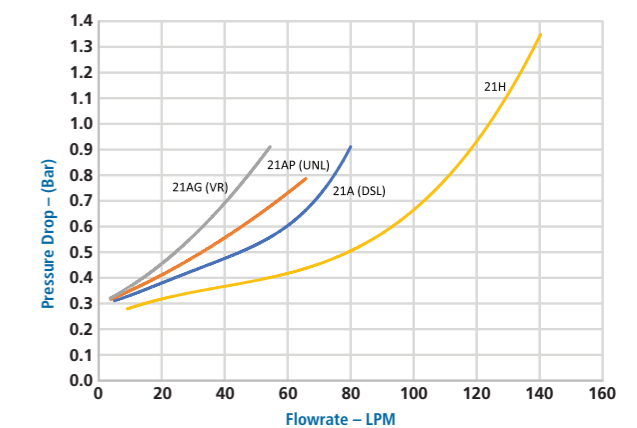
Materials (dependent on model)

Aluminium, plated/coated aluminium, nickel, stainless steel, brass, PU, NBR, FKM, FVMQ, PTFE, PEEK, POM, PA, PET, PP, PVC, TPU.

Fuel Compatibility

- Gasoline and gasoline-ethanol blends up to 85% Ethanol
- Diesel and BioDiesel Blends up to 20% Biodiesel

LPM Flow Chart



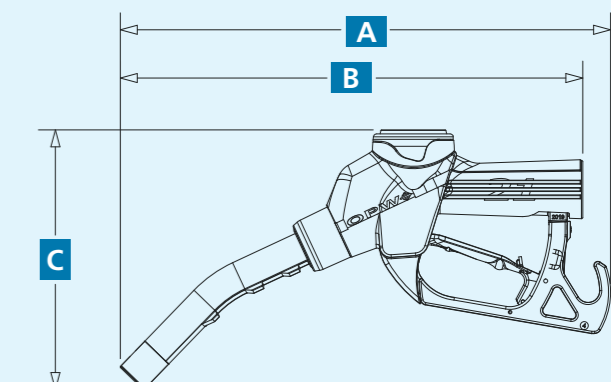
Listings & Certifications

EN13012 Sira 19ATEX9106U
TUV (for 21AG/21AGV/21BG/21BGV)



Models

Nozzle	Dim A	Dim B	Dim C	Spout
21H	368mm	368mm	185mm	32mm
21A/21B	368mm	347mm	195mm	25mm
21AP/21BP	370mm	347mm	197mm	21mm
21AG/21AGV 21BG/21BGV	370mm	347mm	197mm	21mm
21ADB/21ADB M	381mm	358mm	207mm	19mm

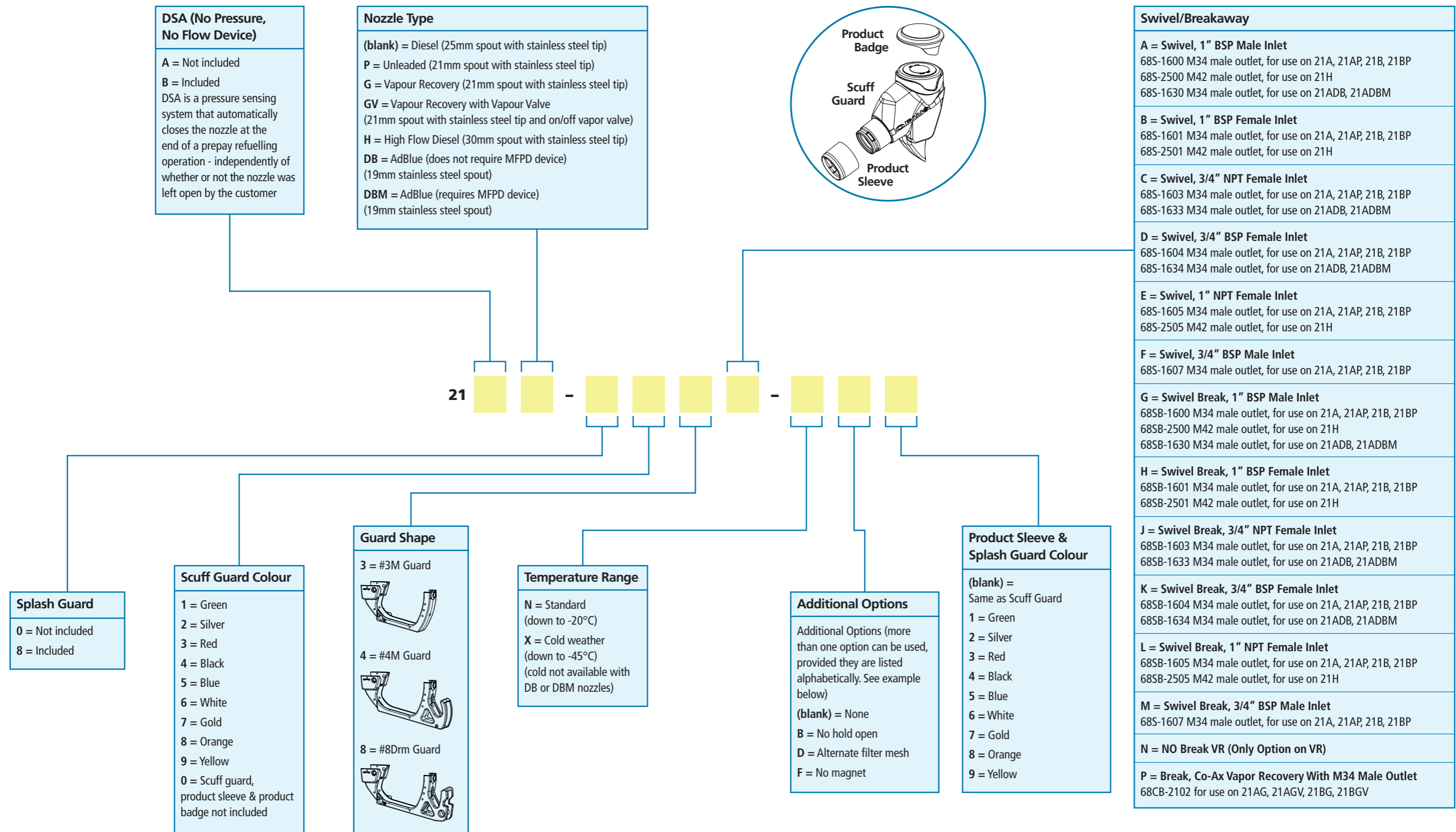


Ergonomic handgrip, easy-to-activate and hold-open latch



Large (47mm), interchangeable message center for branding or promotions. Side tab available for fuel identification

21 Series Nozzle Ordering Specification



68 Series Swivels & Breakaways

Key Features & Benefits

- M34 thread male on nozzle side for standard flow, M42 for high-flow
- Free rotation
- Aluminum body construction with stainless steel swivel nut, low friction Buna-N seal, and acetal bearings
- Working pressure: 3.5 bar
- Conventional and high flow versions available

- Standard temperature range -20 °C up to +55 °C. An optional cold weather variant is available, offering an extended temperature range down to -45 °C
- The swivel performance complies with EN 13617-4 Standard ATEX approved, examination certificate: SIRA 13ATEX 9277U
- The breakaway performance complies with EN 13617-4 Standard ATEX approved, examination certificates 14ATEX9131U (68SB) & 14ATEX9132U (68CB)



Conventional Swivel

Part Number	Hose Side
68S-1600	1" BSPP Male
68S-1601	1" BSPP Female
68S-1604	3/4" BSPP Male
68S-1607	3/4" BSPP Female

Cold Weather Part Number	Hose Side
68S-1600-XC	1" BSPP Male
68S-1601-XC	1" BSPP Female
86S-1604-XC	3/4" BSPP Male
68S-1607-XC	3/4" BSPP Female



Swivel Breakaway

Part Number	Hose Side
68SB-1600	1" BSPP Male
68SB-1601	1" BSPP Female
68SB-1604	3/4" BSPP Male
68SB-1607	3/4" BSPP Female

Cold Weather Part Number	Hose Side
68SB-1600-XC	1" BSPP Male
68SB-1601-XC	1" BSPP Female
86SB-1604-XC	3/4" BSPP Male
68SB-1607-XC	3/4" BSPP Female



Vapour Recovery Breakaway

Part Number	Hose Side
68CB-2102	M34 Female

Cold Weather Part Number	Hose Side
68CB-2102-XC	M34 Female



High-Flow Swivel

Part Number	Hose Side
68S-2500	1" BSPP Male
68S-2501	1" BSPP Female

Cold Weather Part Number	Hose Side
68S-2500-XC	1" BSPP Male
68S-2501-XC	1" BSPP Female



High-Flow Swivel Breakaway

Part Number	Hose Side
68SB-2500	1" BSPP Male
68SB-2501	1" BSPP Female

Cold Weather Part Number	Hose Side
68SB-2500-XC	1" BSPP Male
68SB-2501-XC	1" BSPP Female



OPW 
a **DOVER** company

OPW EMEA Headquarters
Snaygill Industrial Estate, Keighley Road, Skipton, BD23 2QR, UK.

OPW Sweden AB
Fabriksgatan 3, Kungsör 73636, Sweden.

Call: + 44 (0) 1756 794 963 **Email:** enquire@opwglobal.com
Visit: www.opwglobal.com/21